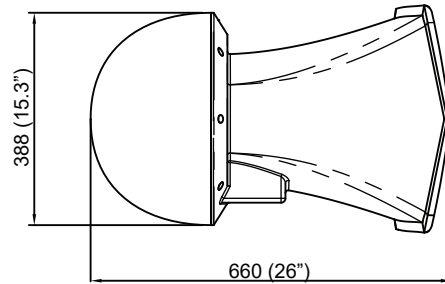
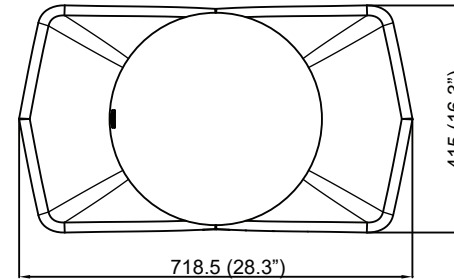


415 (16.3")



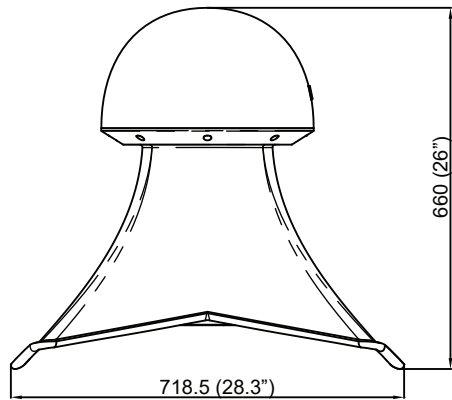
388 (15.3")

660 (26")



415 (16.3")

718.5 (28.3")



660 (26")

718.5 (28.3")

| | | | | |
|-----------------------------|--------------|------------------|--|--------------------|
| NOT TO SCALE | DO NOT SCALE | SHEET 1 OF 1 | A4 | DRAWING No. |
| DRAWN - WU | REV. 1.0 | DATE: 15-03-2018 | CHANGE No. | MATERIAL: |
| CHECKED - RM | | | | |
| APPROVED - RM | | | | |
| THIRD ANGLE PROJECTION | | | | |
| COLOUR: | | | | |
| SURFACE FINISH: | | | | |
| | | | © VOID ACOUSTIC RESEARCH LTD. THIS DRAWING IS COPYRIGHT AND THE PROPERTY OF VOID ACOUSTIC RESEARCH LTD. IT MUST NOT BE COPIED (IN WHOLE OR IN PART), USED FOR MANUFACTURE OR OTHERWISE DISCLOSED WITHOUT PRIOR WRITTEN CONSENT OF THE COMPANY. | |
| VOID ACOUSTIC RESEARCH LTD. | | | | TITLE |
| | | | | Air Vantage |